

Vertical

FUERZA DE RETENCION: 50/170kg.

AF-SR1UN

AF-SR2LN

AF-SR11 UN / LN / AF-SR11UXN

AF-SR12UN / AF-SR12LN

AF-SR13UN / AF-SR13LN

AF-SR17UN / AF-SR17LN

Material: acero SAE 1010

Terminación: zincado - base: pintada

Bujes y ejes: carbonitrurados

Cilindro: ISO 6431



AF-SR1UN



AF-SR2LN



AF-SR11UN / LN / UXN

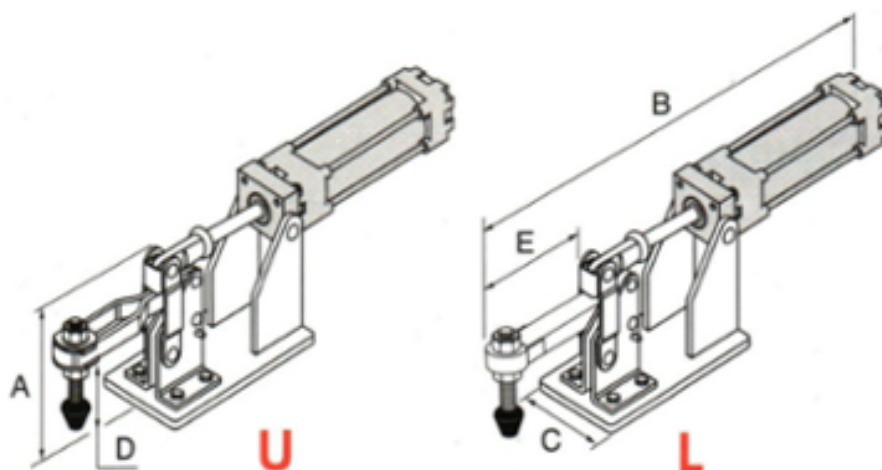


AF-SR12UN / LN

AF-SR17UN



AF-SR13UN



	AF-SR1UN	AF-SR2LN	AF-SR11UN/LN	AF-SR11UXN	AF-SR12UN	AF-SR12LN	AF-SR13UN	AF-SR13LN	AF-SR17UN/LN
A	43	65	75.4	75.3	93	93	102	102	195
B	155	226	236.5	260	365	365	430	430	165
C	39.5	57	57	57	72	72	90	90	49.5
D	19	27	33.9	34.2	41	41	60	60	70
E	24	35	68	88	80	80	114.8	114.8	60
PRI Vulcanizado	PRV10X35	PRV1/4X44	PRV5/16X63	PRV5/16X63	PRV3/8X89	PRV3/8X89	PRV1/2X65	PRV1/2X65	PRV5/16X63
RET Kgs	50	90	227	227	340	340	450	450	170
BRAZO	100°	105°	92°	92°	86°	86°	105°	105°	90°
PESO Grs	200	980	900	900	2200	2200	3750	3750	900