

## AF-TR12 /13 /14 /15

FUERZA DE RETENCION: 90 / 450 Kgs

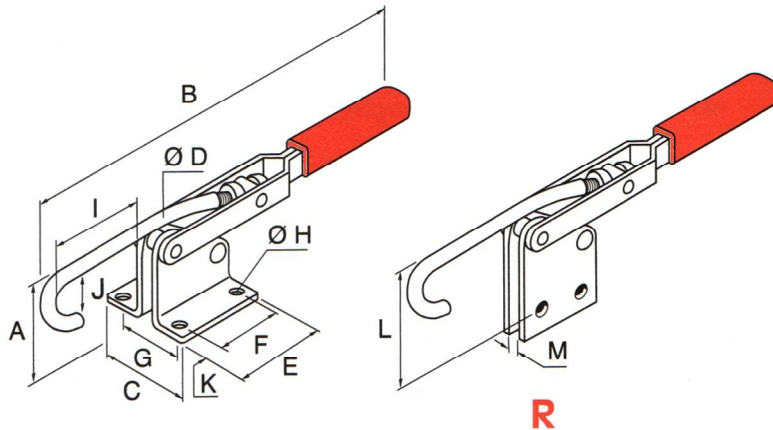
AF-TR12 / AF-TR12R

AF-TR13 / AF-TR13R / AF-TR13INOX

AF-TR14

AF-TR15

Material: ACERO SAE 1010 Zincado  
AISI304



	AF-TR12	AF-TR13	AF-TR13INOX	AF-TR14	AF-TR15
A	25	35	35	59.5	70
B	150-156.5	217-235	198-214	280-290	315-345
C	43	53.5	49.2	65.7	86
D	5	8	8	9.5	12.7
E	26	36.5	38.1	47.5	54
F	13	18.7	19	31.8	28.7
G	28	37	35	49.2	61
H	5	6.5	5.5	8.8	10.2
I	43.5-50	57.73	49-65	78-88	52-78
J	9.5	10	10	16	16
K	6.5	11.3	12.5	8	12.5
L	32.5	44	-	-	-
M	7	8.8	-	-	-
REC	95	120	108	135	155
REG. GANCHO	6.5	16	16	10	26
MNJ	140°	151°	151°	140°	182°
RET Kgs	90	170	212	340	450
Peso Grs	110	290	250	624	1130